



Makey-Music



INNOVATION WYRKSHOP

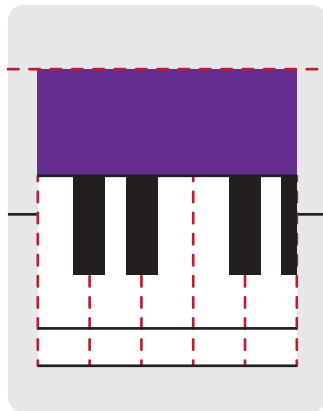
INNOVATEHER



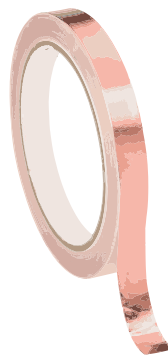
Materials Provided



circuit template



piano template



copper tape



makey-makey

Materials Needed



laptop or computer
with USB port



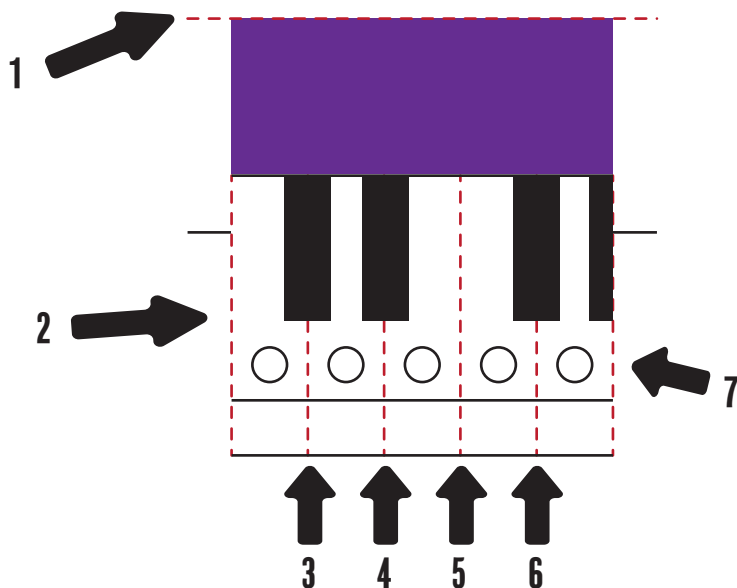
scissors (or x-acto knife)



internet connection

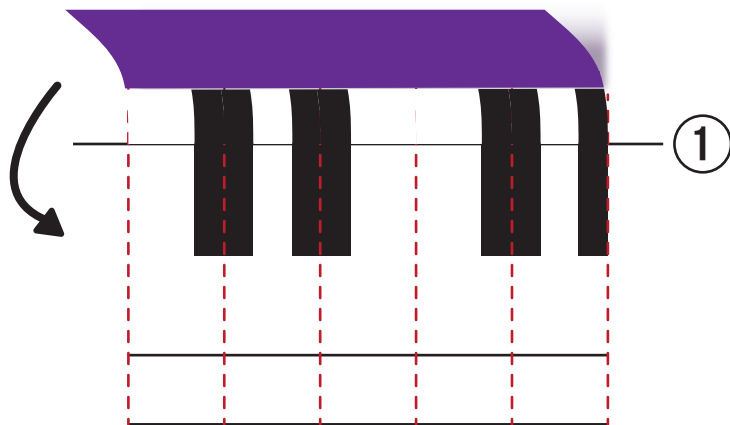
Step 1:

Make your piano! Cut along the *dotted red lines* on the piano sheet. If you have an X-acto knife, it might be a little easier, otherwise, scissors work just fine. You should make 7 cuts total.

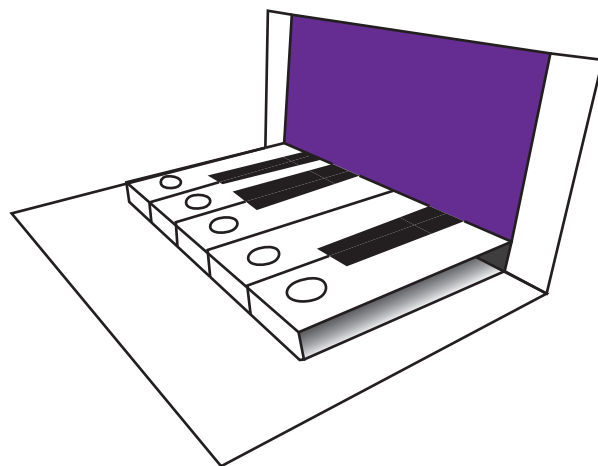


Step 2:

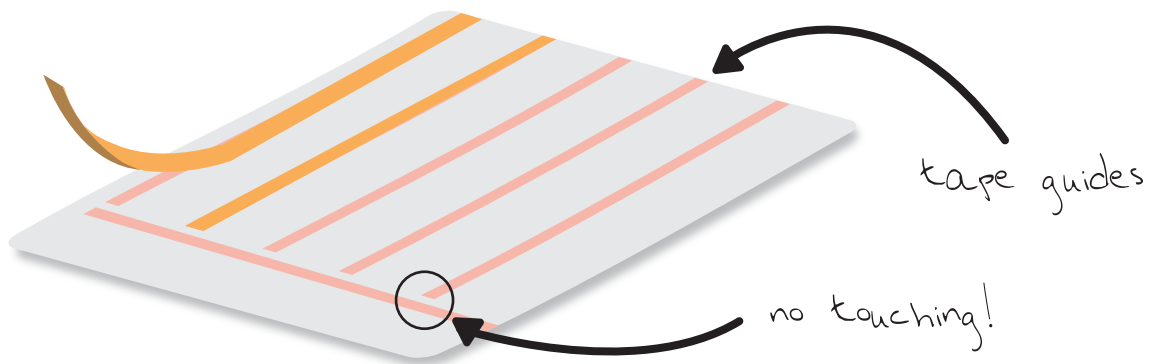
Once you've done Step 1, then you'll fold your paper along the *solid black lines*. Make sure that the paper folds *toward* you when folding. For example, when folding the top fold (1), the purple part should cover the piano keys.



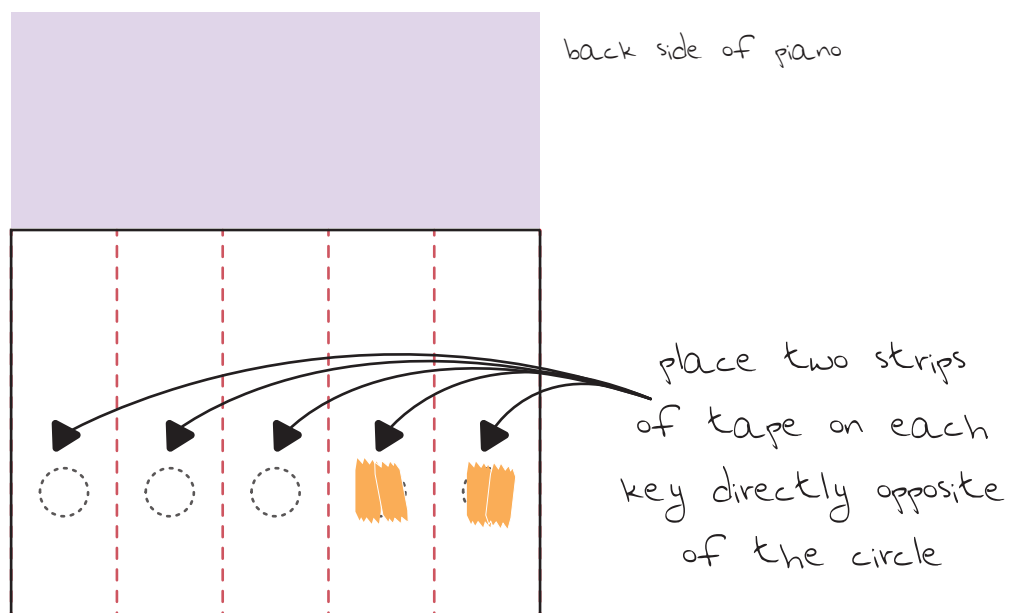
It should look like this when you're done!



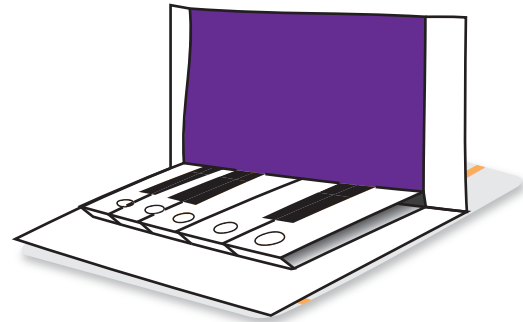
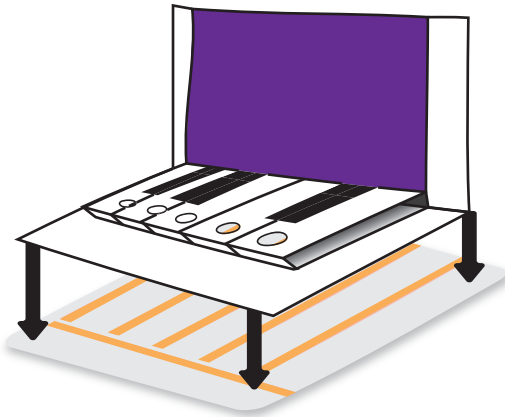
Step 3: Time to "wire" your circuits! For this part, you'll need the circuit template and the copper tape. Stick the tape onto the paper using the colored lines as guides. Make sure you smooth out the tape as best you can and that the horizontal tape doesn't touch any of the vertical tape.



Step 4: "Wire" your piano. Place two small strips of copper tape underneath the piano keys. Line them up so that they are directly opposite of the circle on the top of the keys. That way, when you press down on the key, you'll be completing the circuit from the circuit template!

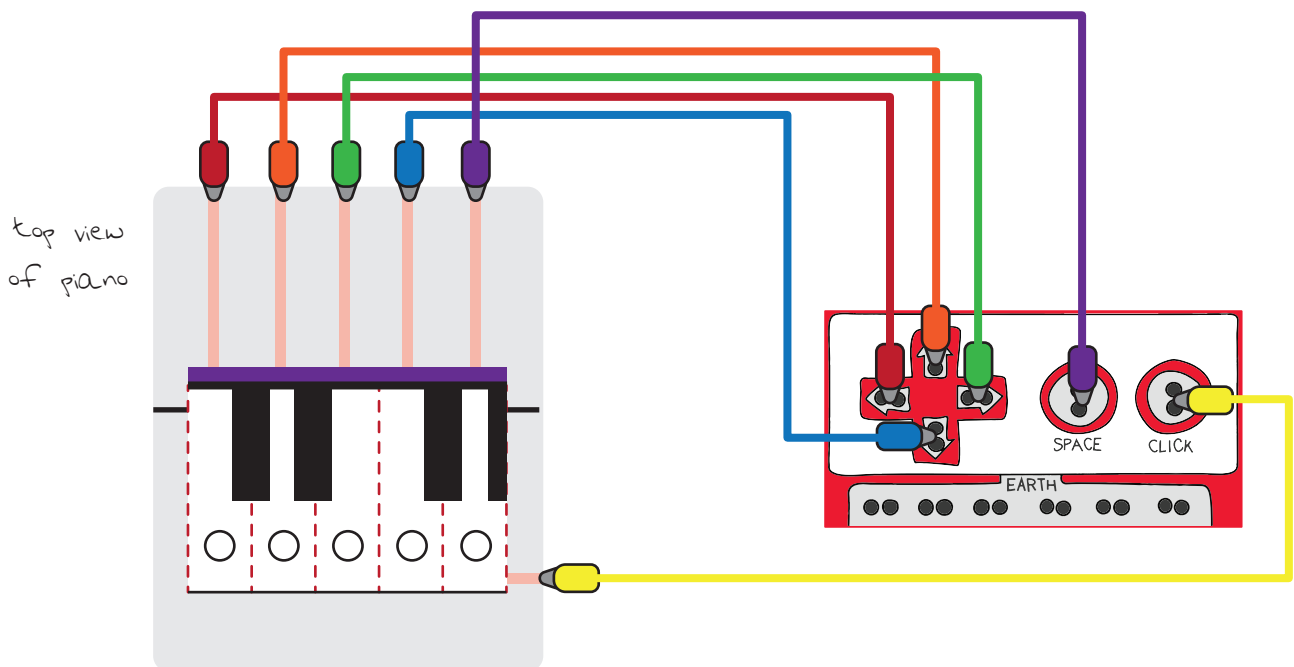


Step 5: Finish building your piano. Line up the bottom edge of your piano with the bottom edge of the circuit template. Use tape or glue to hold them together being careful not to glue over, or shift, your copper tape.

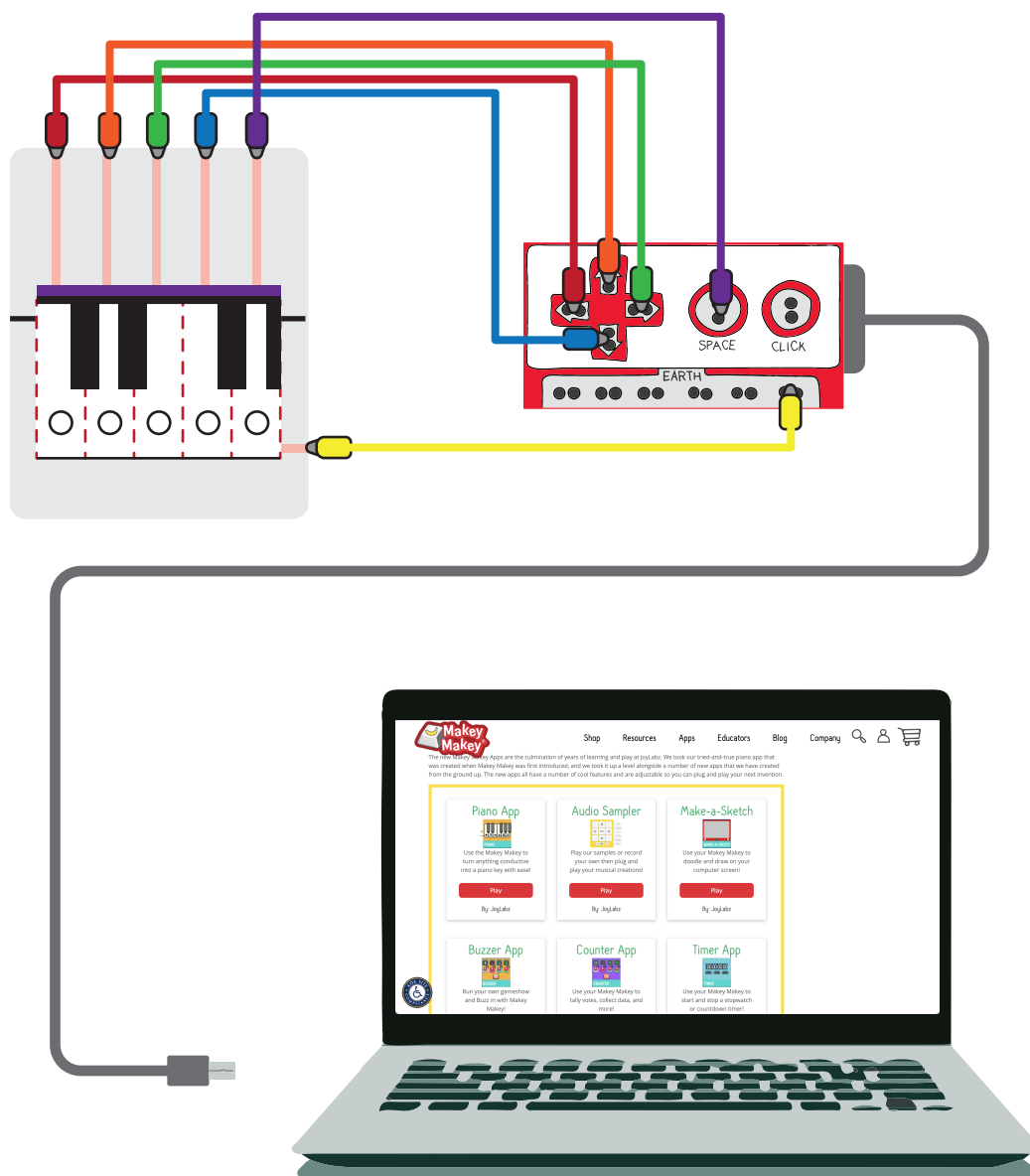


a finished piano!

Step 6: Connect your makey-makey. Clamp the alligator clips on the edge of the paper where the tape meets the edge (color doesn't matter). Make sure the metal part of your clamp is touching the copper tape! Then connect it to your makey-makey as shown in the diagram below (again, colors don't matter, just the placement of the alligator clips).

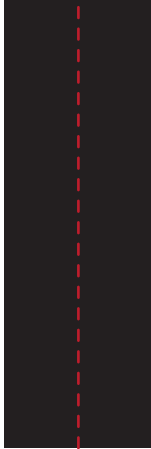


Step 7: Time to make some music! Connect your makey-makey to a computer or laptop through the USB and then go to the website <https://apps.makeymakey.com/play/#piano>. This should take you right to the piano app. If that doesn't work, you can go to: makeymakey.com > Apps > Plug & Play Apps > Piano App.



INNOVATEHER

Music Maker



Press Here

Press Here

Press Here

Press Here

Press Here

